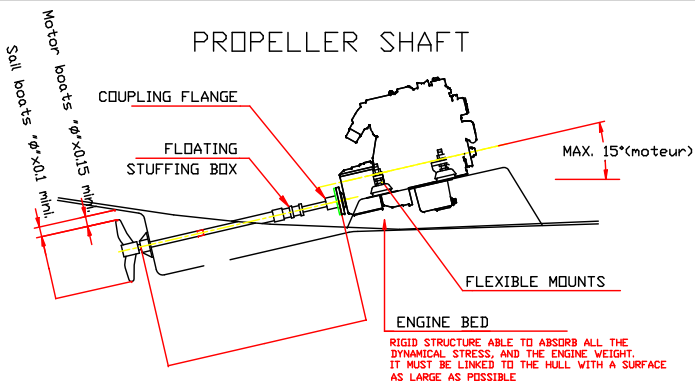


PROPELLER SHAFT

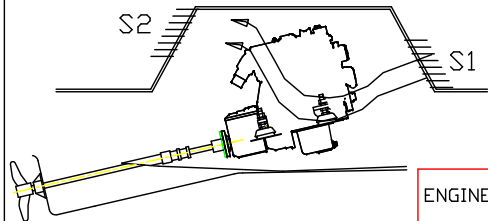


RIGID STRUCTURE ABLE TO ABSORB ALL THE DYNAMICAL STRESS, AND THE ENGINE WEIGHT. IT MUST BE LINKED TO THE HULL WITH A SURFACE AS LARGE AS POSSIBLE.

ENGINE	REDUCTION RATIO	* $\varnothing A^*$ (316L) (mm)	* \varnothing^* (pouces)	* L^* (m)	ENGINE SPEED RPM		
					IDLING	MAXI	V/D load
N2.10	2	22	12	1.20	1050	3000	3300
	2.6	22	13	1.40			

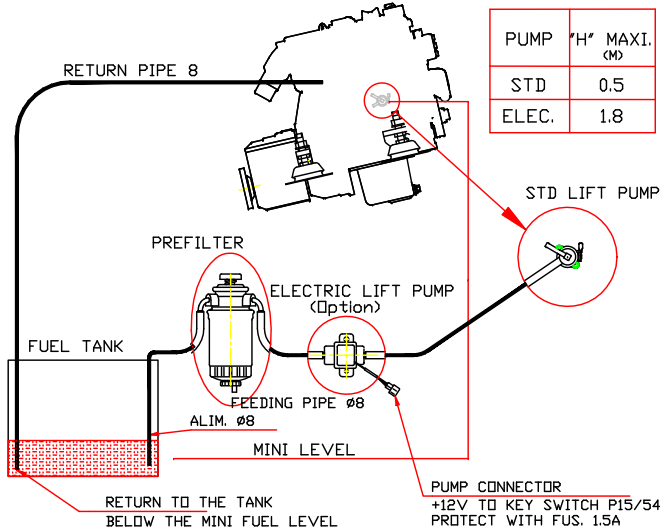
* FOR PROPELLER CALCULATION, PLEASE FILL IN THE 'PROPELLER STUDY' FORM
** MAXIMUM VALUE ACCEPTED

AIR REQUIREMENT



ENGINE	ENGINE AIR CONSUM (m3/min)	INLET *S1* (cm2)	OUTLET *S2* (cm2)
N2.10	0.6	85	25

FUEL CONNECTION



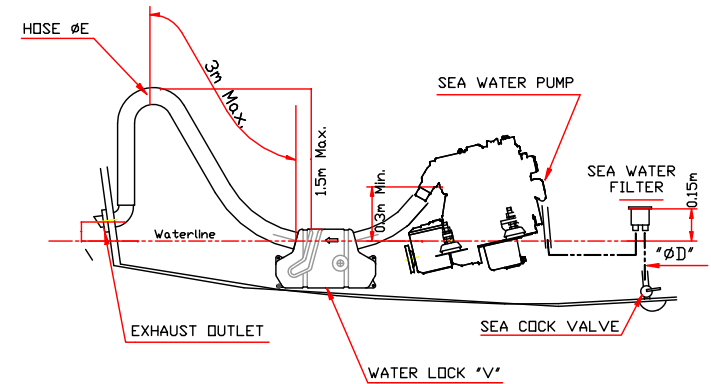
SEA WATER PICK-UP AND EXHAUST LINES

ENGINE	* $\varnothing D^*$ (mm)	* $\varnothing E^*$ (mm)	Max back pressure (bar/PSI)	*V* mini. (liter)
N2.10	20	40	0.08/0.005	5

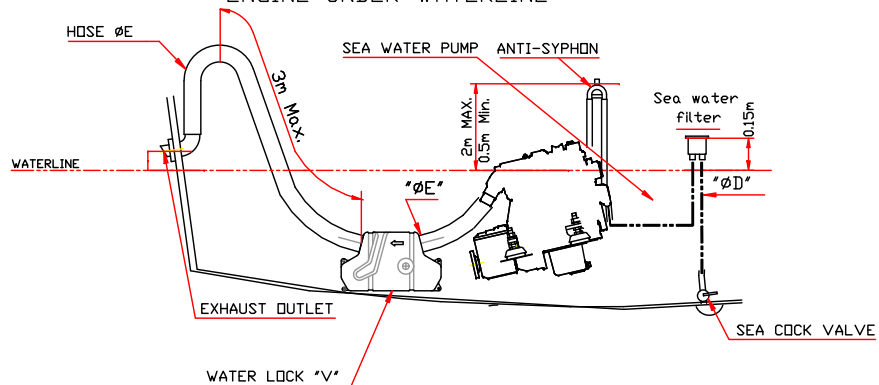
-ANTI SYPHON VALVE
IT MUST BE FITTED AFTER THE RAW WATER PUMP BEFORE HEATEXCHANGER INLET

-WATER LOCK
IT MUST BE ALWAYS LOWER AND NEAR THE ENGINE

ENGINE ABOVE WATERLINE



ENGINE UNDER WATERLINE



Engine boats



All sail boat



Boiler connection on next page

ELECTRICAL WIRINGS

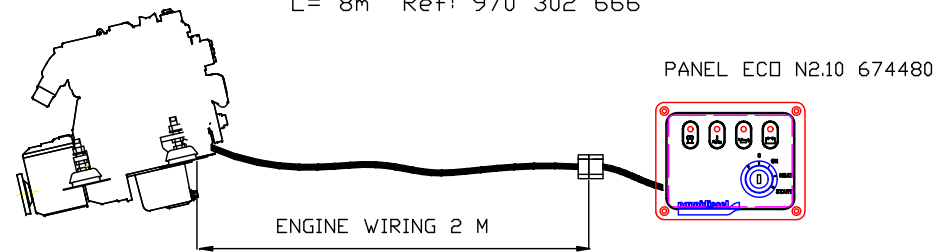
Additional wiring

L = 2m Ref: 970 304 162
L = 4m Ref: 970 302 665
L = 8m Ref: 970 302 666

CONNECTOR

1	+BATTERY 12V
2	-BATTERY 12V
3	STARTER
4	PREHEATING
5	
6	
7	D+ LIGHT
8	OIL SWITCH
9	WATER SENDER
10	PLUS CONTACT
11	

VIEW FROM PLUG

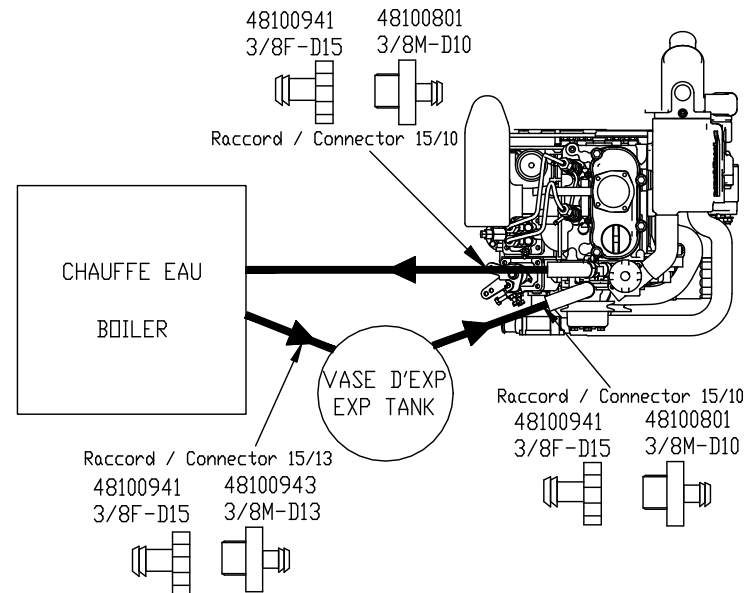
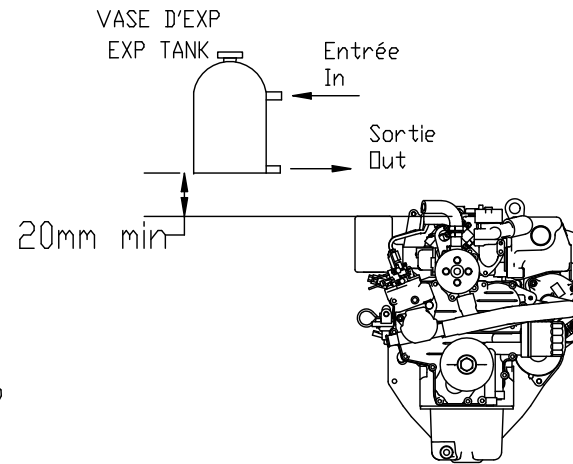
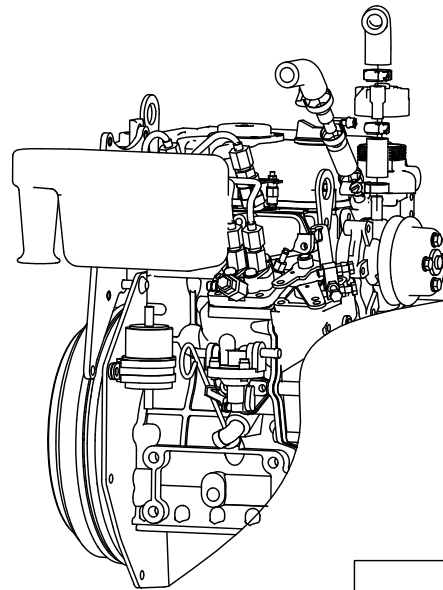
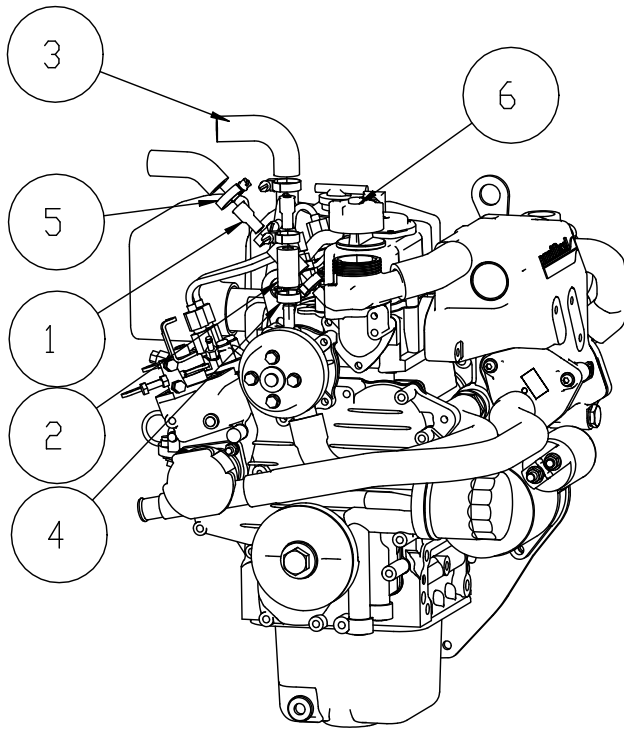


ECH.	DESSINE LE 11-12-06 PAR PL	VERIF.	
INSTALLATION DETAILS			
N2.10			
IND C le 19/07/07			

CE DESSIN EST LA PROPRIETE DE NANNI INDUSTRIES ET NE PEUT ETRE REPRODUIT OU COMMUNIQUE SANS SON AUTORISATION

nannidiesel
NANNI INDUSTRIES 31 - Av. Marianne - BP 107
33260 LA TESTE - FRANCE
12 111 798

Indice	Edition	Modification	Date	Approuvé par
-	-	-	-	-



6	1	BOUCHON - 1,5 bar	PLUG - 1,5 bar	
5	2	COLLIER 20x32	COLLAR 20x32	-
4	4	COLLIER 8x16	COLLAR 8x16	-
3	2	TUYAU - D14	PIPES - D14	-
2	2	TUYAU - D10	PIPES - D10	-
1	2	REDUC-14-10	REDUC-14-10	51310013
REP	QTE	DESIGNATION	DESIGNATION	REMARQUE

-	-	-	-	-	-
REPERE	QTÉ	DESIGNATION	MATIÈRE	DIMENSION	REMARQUE
		nannidiesel		Dessiné par NC	Contrôlé par -
		NANNI INDUSTRIES S.A. BP 107 ZI Av. Marlotte 33260 LA TESTE Tel:33305 56 22 30 60 - Fax:33305 56 22 30 79		Echelle : 1/10	Format : A3
		RACCORDEMENT CHAUFFE EAU		Date : 17-03-2007	
				N° Dessin E401501T02	Ind. Ed. - 1